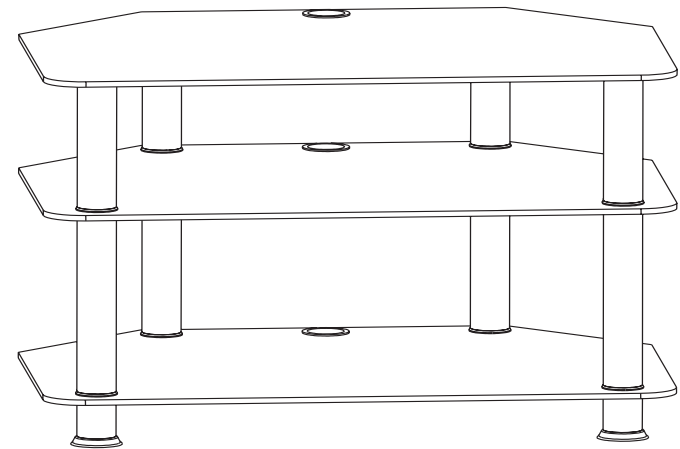


Plasma TV Cabinet

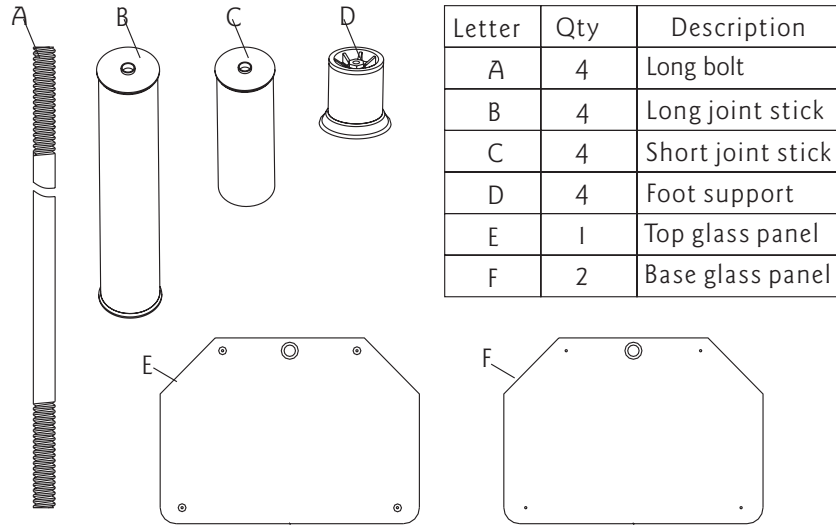
Universal Mounting Instructions

For Model :

PAVS007



Contents of the box: Hardware shown as actual size



Please read this guide before installation.
 Ensure the correct installation. The Max load is 60kg/132lbs.
 Keep away from high frequency or power equipment to avoid disturbance.
 Choose flat floor to put this product.
 We can not be responsible for any damage caused by wrong installation.

Caution : This Product LCD /Plasma Wall Mount Bracket is intended for use only with the maximum weights indicated .See apparatus instructions .Use with products heavier than the maximum weights indicated may result in instability causing possible injury .

Installation

Please refer to the figures in the process.

- Fig ①. Open the box and take out the 4 pieces of Long bolts (A) as well as Top glass panels(E). Put the Top glass panel onto some flat floor, note the surface with bolt holes up. Then put the tip of the bolt into the holes.
- Fig ②. Insert the Short joint stick(C) at the showed position.
- Fig ③. Carefully attach the Base glass panel(F) to the right position,
- Fig ④. Insert the Long joint stick(B) at the showed position.
- Fig ⑤. Attach the Base glass(F) to the right position,
- Fig ⑥. Install the Foot support (D) .
- Fig ⑦. Turnover the whole cabinet and finish the whole installation.

